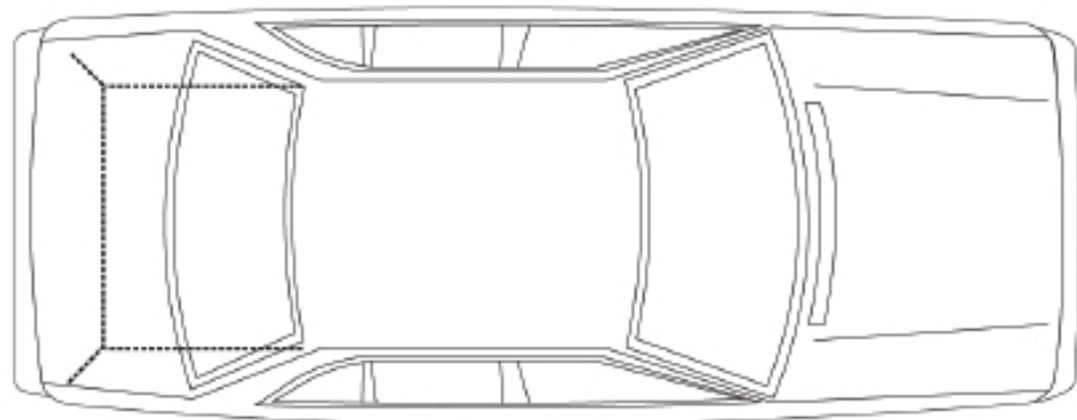


4 Door / Station Wagon Frame Recycled Body Cut Form

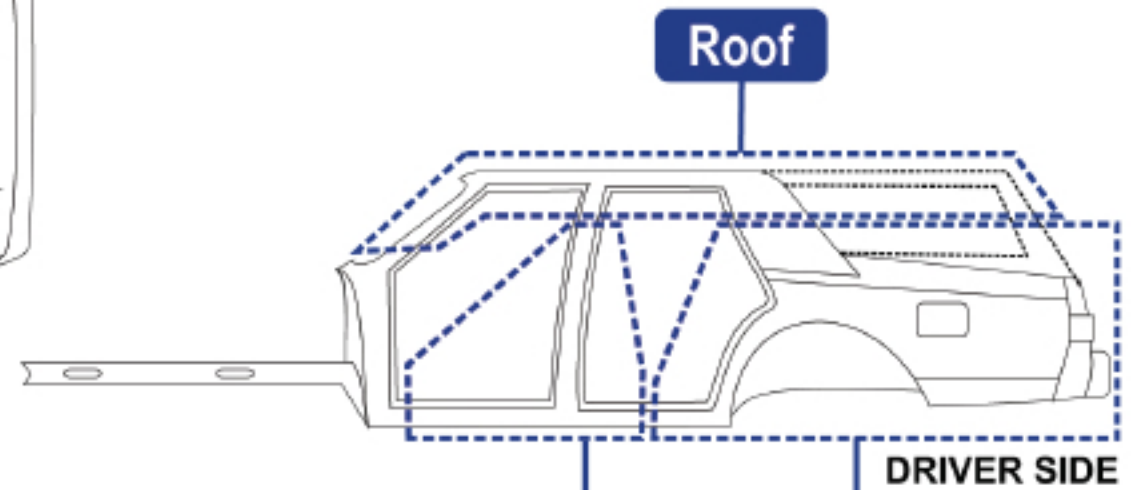
To: _____ From: _____
Contact person: _____ Contact person: _____
Phone #: _____ Fax #: _____ Date: _____
Year: _____ Make: _____ Model: _____
VIN #: _____ Build Date: _____
Please sign: _____

Disclaimer: No Returns on Body Cuts

Important: these marks are our standard cuts – larger cuts may incur a surcharge



TOP VIEW

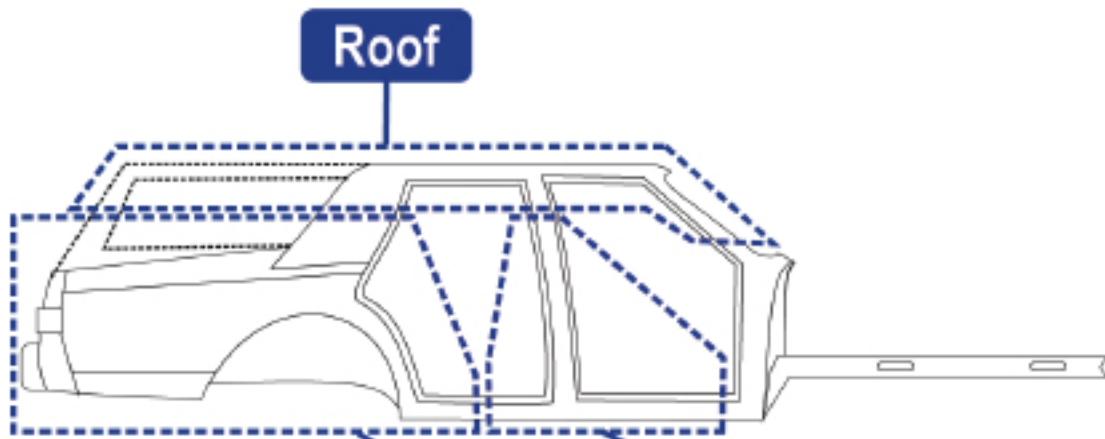


Roof

DRIVER SIDE

Center Pillar

Driver Quarter

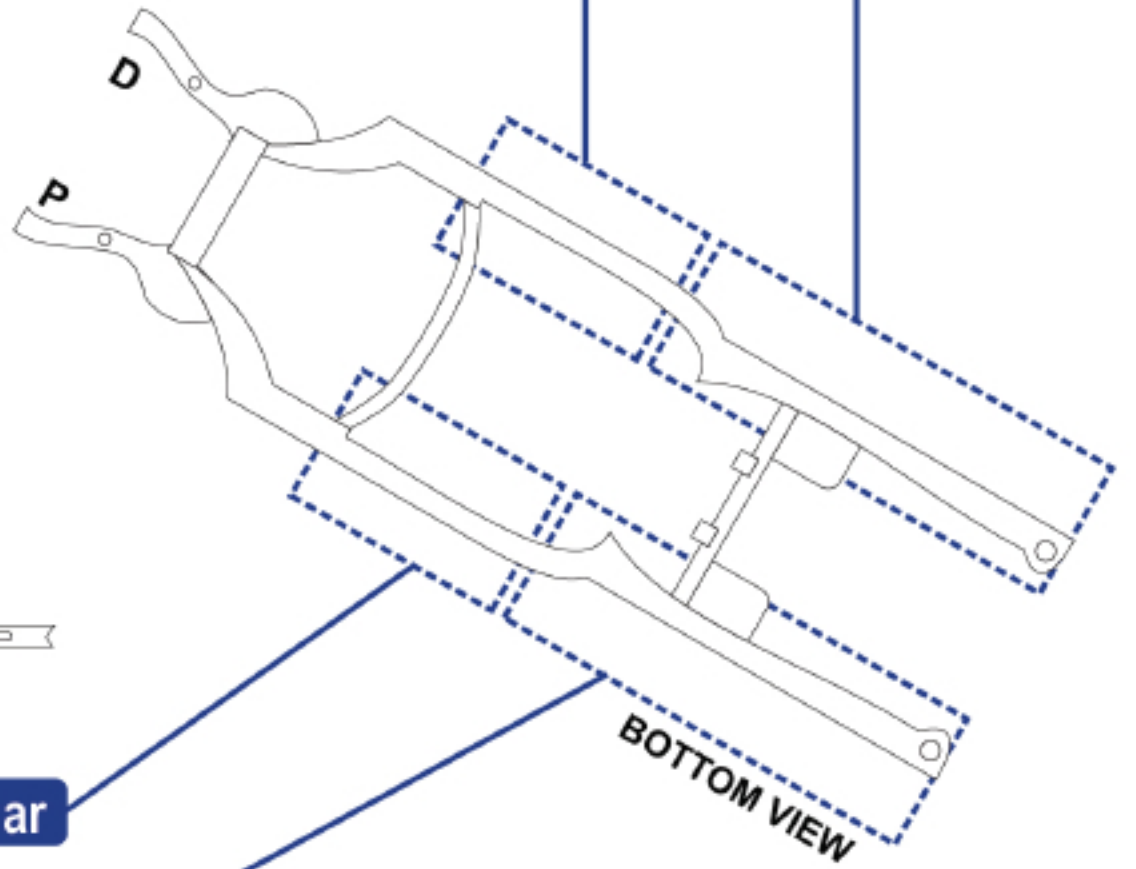


Roof

PASSENGER SIDE

Center Pillar

Passenger Quarter



BOTTOM VIEW



Phone: 415-826-8676

Fax: 415-826-5386